

WOLFHOUND-MC



Compact Thermal Clip-On Sight



OVERVIEW

The commercial thermal weapon sights WOLFHOUND have been a big hit among hunters all over the world. By popular demand, a compact and affordable clip-on thermal sight for light-recoil firearms and short-range engagements was brought out: the **WOLFHOUND-MC**. Utilizing the quick release weapon mount, the **WOLFHOUND-MC** easily attaches to and detaches from standard 1913 Picatinny rails in front of daytime scopes. This gives the operator the ability to deploy it on multiple weapon platforms without the need to dedicate a thermal scope. **WOLFHOUND-MC** sight has built-in digital collimator which allows easy pairing with the host day scope. WOLFHOUND-MC can be paired with day time optics with magnifications up to 8X.

KEY FEATURES

- ▶ Objective Lens: 25mm, f/1.0
- ▶ 384x288 Full Frame Rate Thermal Engine
- ▶ 24/7 Operation
- ▶ 5-Hour Battery Life
- ▶ Electronic Digital Collimator
- ▶ 7-Year Warranty
- ▶ Available for Export. ITAR-free



WOLFHOUND-MC

Compact Thermal Clip-On Sight

Ergonomic Buttons with Tactile Feedback

The Inline Keypad Layout guarantees convenient use and comfortable operation unlike hard-to-operate diamond-shape keypads.

384x288 High-Performance FPA

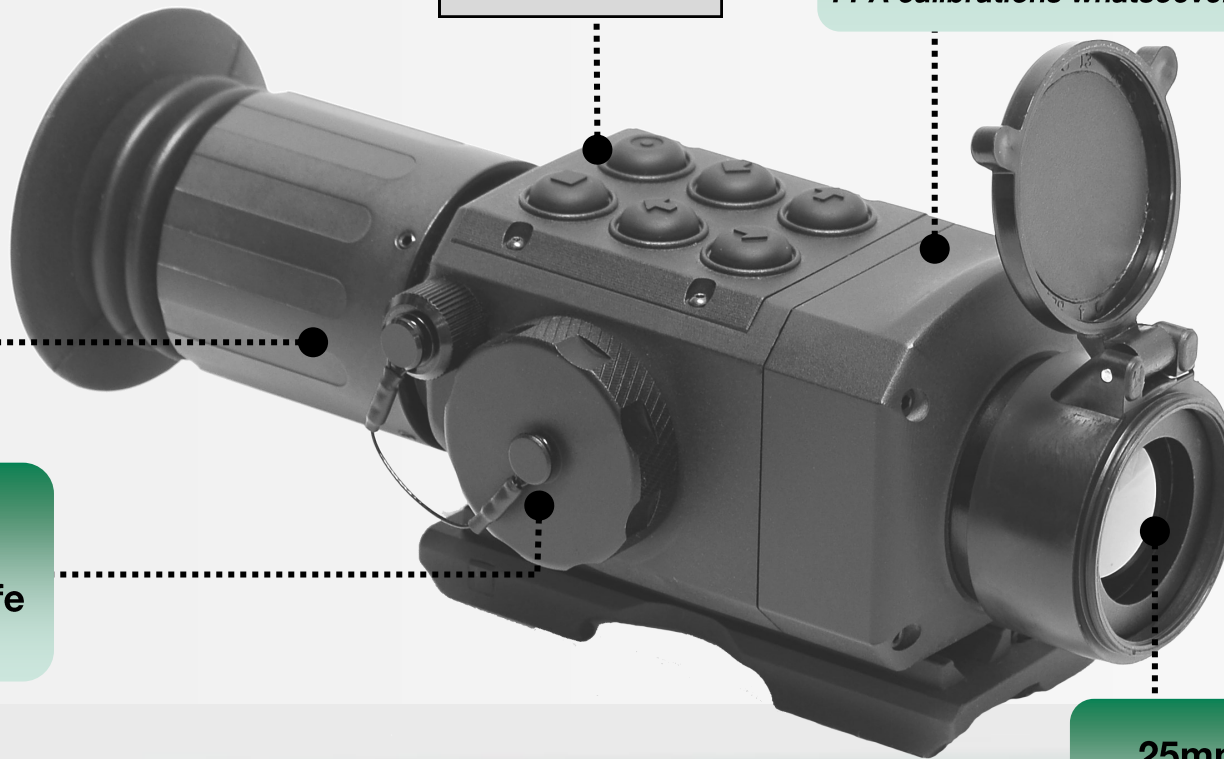
Non-Uniformity Correction (NUC, calibration) of FPA is performed automatically, instantly and continuously to deliver crisp and highest image quality at all times. Auto-NUC technology results in no “clicks”, no interruptions in device’s operation. User is not distracted to perform any FPA calibrations whatsoever.

Detachable Clip-On Adapter

Can be replaced with an eyepiece to transform WOLFHOUND-MC into a dedicated thermal weapon sight

5 Hours Battery Life

25mm “Fast” Germanium Lens



WOLFHOUND-MC

Compact Thermal Clip-On Sight

Features

- ▶ Shutterless & Silent Thermal Engine
- ▶ Quality, Low F# Objective Lens
- ▶ Low Power Consumption
- ▶ Digital Zoom controls 2X-4X
- ▶ Black Hot/White Hot Polarity
- ▶ Manual/Automatic Sensitivity Control
- ▶ Manual Brightness Control
- ▶ High Resolution 800x600 OLED display
- ▶ Video-Out

Specifications

	WOLFHOUND-MC
Spectral Response	7-14 μ m
FPA Type	Shutterless, Auto-NUC
FPA Format	384 x 288
Thermal Sensitivity	<60 mK
Refresh Rate	50Hz
Objective Lens Size	25mm, f/1.0
Field-Of-View	14.9°x11.2°
Magnification Optical	1X (Unity)
Magnification Digital	2X, 4X
Powered By	2 pcs. AA Batteries
Continuous Operation Time	Up to 5 hours
Dimensions	175x55x60mm
Weight	600 grams
Detection of Human Figure*	Up to 830 m
Detection of Idling Car *	Up to 1130 m
Electronic Collimator	Yes
Warranty	7 Years, Limited

Delivery Set:



WOLFHOUND-MC with Lens Cover and Low-Profile 1913 Weapon Mount



Quick-Swap Battery Packs



Video-Out Cable



Soft Carrying Pouch



Hard Waterproof Case

User Manual and 7-Year Warranty with Activation Form

**Note: Detection, recognition, identification values are provided based on Johnson's criteria. These values may vary significantly due to environmental conditions, type of observed objects, user experience and many other factors.*